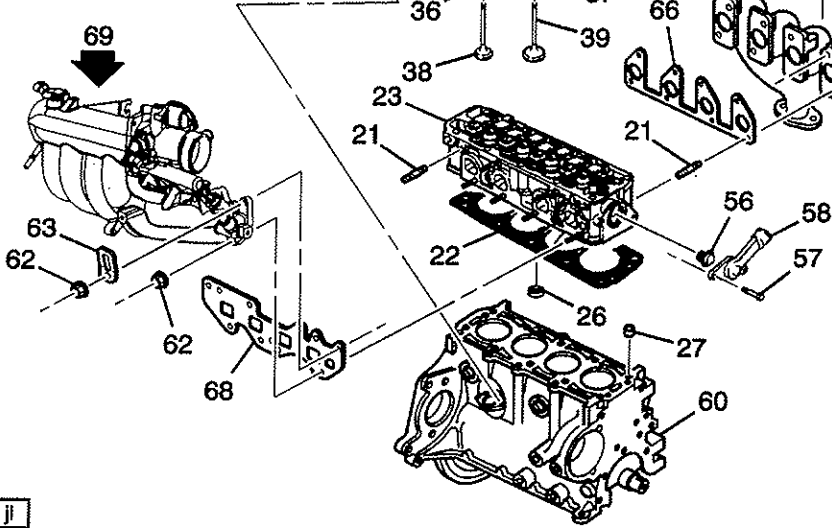
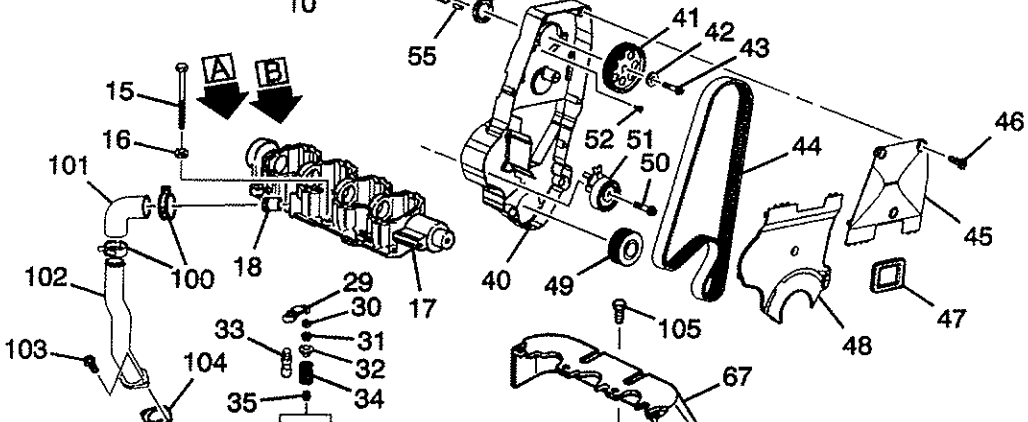
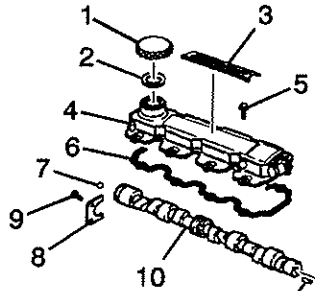
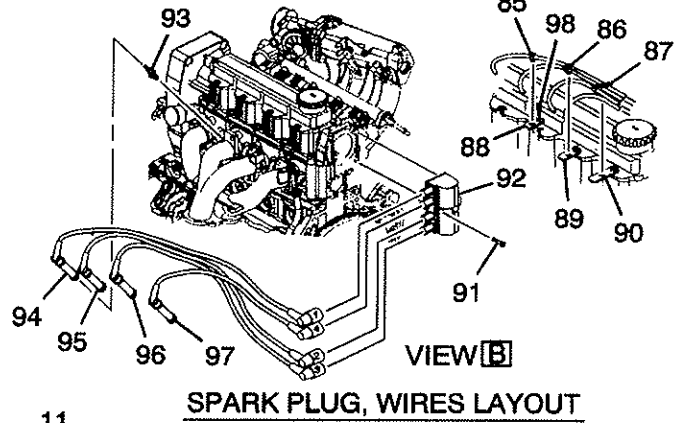
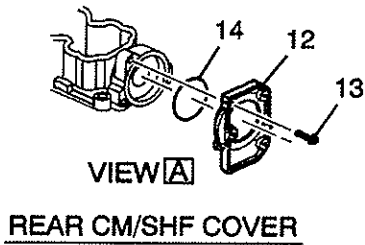


2002-2007 I ENGINE ASM-1.6L L4 PART 1 98 CID)(L01-1.6 LITER)(INDUSTRIAL



OM00-043
2002-2007 I ENGINE ASM-1.6L L4 PART 2 98 CID)(L01-1.6 LITER)(INDUSTRIAL





Power Boss GM Price Book
 Spec# 39000659-3
 Engine Type: GM 1.6L
 March 2007



ILLUS NO	CALLOUT	PART NO	YEAR1	YEAR2	QTY	L/R	PSI Description
OM00-042	001	90273451	2006	2007	04		Ring Kit, Pistion (STD)
OM00-042	002	93267244	2006	2007	01		Piston W/Pin (STD) (INCLS 1,5,6)
OM00-042	003	93389207	2006	2007	01		Bearing Kit, Connecting Rod (STD)
OM00-042	005	93325128	2002	2007	01		Rod, Connecting (Also Part of 2)
OM00-042	006	90281728	2006	2007	08		Bolt, Connecting Rod (Also part of 2)
OM00-042	007	90409974	2006	2007	01		Pulley, Crankshaft
OM00-042	008	90500602	2006	2007	01		Washer, Crankshaft Pulley
OM00-042	009	93299094	2006	2007	01		Bolt, Crankshaft Pulley
OM00-042	013	90501168	2002	2003	01		Dipstick
OM00-042	014	90501167	2002	2006	01		Tube, Dipstick
OM00-042	016	12345382	2002	2003	AR		Sealer, Camshaft Bearing Hold Plug
OM00-042	017	11070803	2006	2007	06		Plug, Eng Block Cool Drain Hole
OM00-042	020	11056092	2002	2003	AR		Plug, Eng Block Core Hole
OM00-042	021	93384777	2006	2007	01		Engine, Service
OM00-042	022	93309906	2002	2003	01		Seal, Crankshaft Rear Oil
OM00-042	023	11503649	2006	2007	10		Bolt, Crankshaft Bearing Cap
OM00-042	024	11085864	2002	2003	05		Bolt, Oil Pump Cover (Also part of 106)
OM00-042	025	90091886	2006	2007	01		Cover, Oil Pump (Also part of 106)
OM00-042	026	90091887	2006	2007	01		Gear, Oil Pump Drive (Also part of 106)
OM00-042	027	90232020	2006	2007	01		Gear, Oil Pump Drive (Also part of 106)
OM00-042	028	11017692	2006	2007	01		Seal, Oil Pump Housing
OM00-042	029	93275202	2006	2007	01		Plug, Oil Pump Housing
OM00-042	030	93289221	2006	2007	01		Baffle, Oil Pan
OM00-042	030	90156847	2006	2007	01		Baffle, Oil Pan
OM00-042	031	NSS					Part of 41
OM00-042	032	93289221	2006	2007	01		Baffle, Oil Pan (Also part of 41)
OM00-042	033	90499504	2006	2007	02		Clamp, PCV Hose
OM00-042	034	93399621	2006	2007	01		Hose, PCV
OM00-042	035	90409190	2006	2007	01		Tube, PCV
OM00-042	036	93218703	2006	2007	02		Bolt, PCV Tube
OM00-042	037	90572062	2006	2007	01		Gasket, PCV Tube
OM00-042	038	93335433	2006	2007	01		Gaskst, Oil Pan
OM00-042	041	93324943	2006	2007	01		Pan, Oil (INCLS 31, 113,114,115)
OM00-042	042	93320340	2006	2007	15		Bolt, Oil Pan
OM00-042	043	93288991	2002	2006	01		Starter (Bosch Type)
OM00-042	043	93374341	2006	2007	01		Starter { Delco Type)
OM00-042	044	08956812	2002	2006	01		Bolt, Starter
OM00-042	045	10044165	2002	2003	01		Stud, Starter
OM00-042	060	90467348	2006	2007	01		Crankshaft
OM00-042	062	93219500	2006	2007	04		Bearing Kit, Crankshaft (POSN#1,2,4,5) (.25MM Green)
OM00-042	062	93227332	2006	2007	04		Bearing Kit, Crankshaft (POSN#3) (STD Brown)
OM00-042	062	93219501	2006	2007	04		Bearing Kit, Crankshaft (POSN#1,2,3,4,5) (STD Brown/Blue)
OM00-042	062	93219502	2006	2007	04		Bearing Kit, Crankshaft (POSN#4) (.50MM Green/Blue)
OM00-042	062	93227333	2006	2007	04		Bearing Kit, Crankshaft (POSN#3) (STD Green)
OM00-042	062	93219499	2006	2007	04		Bearing Kit, Crankshaft (POSN# 1,2,4,5) (STD Brown)
OM00-042	080	25010792	2006	2007	01		Filter, Oil
OM00-042	081	93258997	2006	2007	01		Fitting, Oil Filter
OM00-042	082	90325653	2002	2005	01		Sprocket, Water Pump
OM00-042	086	90136113	2006	2007	01		Valve, Oil Filter Bypass
OM00-042	091	90295195	2006	2007	06		Bolt, Flywheel
OM00-042	097	90351708	2006	2007	02		Pin, Trans Lock
OM00-042	099	90536140	2002	2006	01		Flywheel
OM00-042	101	90194536	2006	2007	03		Bolt, Water Pump Cover
OM00-042	102	93385842	2006	2007	01		Pump Kit, Water
OM00-042	103	09158173	2006	2007	01		Seal, Water Pump Cover
OM00-042	104	90351709	2006	2007	02		Pin, Oil Pump Housing Lock
OM00-042	105	90573301	2006	2007	01		Gasket, Oil Pump
OM00-042	106	93293030	2006	2007	01		Pump, Oil (INCLS: 24,25,26,27,121,125)
OM00-042	107	93294692	2006	2007	06		Bolt, Oil Pump
OM00-042	108	11023582	2002	2006	01		Seal, Oil Pan Drain Plug
OM00-042	109	90190637	2006	2007	01		Seal, Oil Pump Suc Pipe
OM00-042	110	90410982	2006	2007	01		Pipe, Oil pump Suc (Part of 130)

ILLUS NO	CALLOUT	PART NO	YEAR1	YEAR2	QTY	L/R	PSI Description
OM00-042	111	93298897	2006	2007	02		Bolt, Oil Pump Screen
OM00-042	112	11503864	2002	2003	01		Bolt, Oil Pump Screen Bracket
OM00-042	113	90156847	2006	2007	01		Baffle, Oil Pan
OM00-042	113	93289221	2006	2007	01		Baffle, Oil Pan
OM00-042	114	11023582	2006	2007	01		Seal, Oil Pan Drain Plug (Also part of 41)
OM00-042	115	90409376	2006	2007	01		Plug, Oil Pan Drain (Also part of 41)
OM00-042	120	03448847	2006	2007	01		Spring, Oil Pressure Relief Valve (Also part of 106)
OM00-042	121	03448834	2006	2007	01		Plug, Oil Pressure Relief Valve Bore (Part of 106)
OM00-042	122	90448217	2006	2007	01		Seal, Oil Filler Cap (Part of 13)
OM00-042	123	93318082	2006	2007	01		Switch, Eng Oil Pressure Indicator
OM00-042	124	90530592	2007	2007	01		Valve, Oil Pressure Relief
OM00-042	125	11093042	2006	2007	01		Gasket, Oil Pressure Relief Valve Bore Plug (Part of 106)
OM00-042	126	90351710	2006	2007	02		Pin, Camshaft Housing Lock
OM00-042	128	93349330	2006	2007	01		Bracket, Oil Pump Screen
OM00-042	129	NSS					Part of 130
OM00-042	130	90410981	2006	2007	01		Screen, Oil Pump (INCLS: 110,129)
OM00-042	131	93298958	2004	2006	01		Bolt, Crankshaft Posn Sensor Bracket
OM00-042	132	90451442	2006	2007	01		Sensor, Crankshaft Posn
OM00-042	133	90411664	2006	2007	01		Bracket, Crankshaft Posn Sensor Lead Clip
OM00-042	134	93294693	2006	2007	03		Bolt, Crankshaft Posn Sensor
OM00-042	136	90501719	2006	2007	01		Seal, Oil Pump
OM00-043	001	93334742	2006	2007	01		Cap, Oil Filler
OM00-043	002	90448217	2006	2007	01		Seal, Oil Filler Cap
OM00-043	003	NSS					Part of 4
OM00-043	004	93334741	2006	2007	01		Cover, Camshaft Housing
OM00-043	005	11503865	2003	2003			Bolt, Oil Pump Suc Pipe
OM00-043	006	90409594	2006	2007	01		Gasket, Camshaft Housing Cover
OM00-043	007	11011286	2006	2007	02		Ball, Camshaft Oil Rstr (Also part of 10)
OM00-043	008	90233647	2006	2007	01		Retainer, Camshaft
OM00-043	009	90264407	2006	2007	02		Bolt, Camshaft Ret.
OM00-043	010	93244916	2006	2007	01		Camshaft (INCLS: 7,55)
OM00-043	011	90180529	2006	2007	01		Seal, Camshaft
OM00-043	012	93248458	2006	2007	01		Cover, Camshaft Housing
OM00-043	013	93285876	2006	2007	03		Bolt, Camshaft Rear Cover
OM00-043	014	93278411	2006	2007	01		Seal, Camshaft Housing Cover Bolt
OM00-043	015	93304811	2006	2007	10		Bolt, Cylinder Head
OM00-043	016	90409673	2002	2003	01		Washer, Camshaft Sprocket
OM00-043	017	93376218	2006	2007	01		Housing, Camshaft
OM00-043	018	90220615	2006	2007	01		Tube, PCV
OM00-043	021	90106239	2006	2007	05		Stud, Intake Manifold
OM00-043	022	96391434	2006	2007	01		Gasket Kit, Cylinder Head
OM00-043	023	93313415	2006	2007	01		Head, Cylinder
OM00-043	026	93380183	2006	2007	04		Seat, Exhaust Valve (0.2MM OS)
OM00-043	026	93380184	2006	2007	04		Seat, Exhaust Valve (0.4MM OS)
OM00-043	026	93380182	2006	2007	04		Seat, Exhaust Valve
OM00-043	026	93380187	2006	2007	04		Seat, Exhaust Valve
OM00-043	027	90351710	2006	2007	02		Pin, Camshaft Housing Lock
OM00-043	029	90398840	2002	2006			Arm, Valve Rocker
OM00-043	030	90076745	2006	2007	08		Seat, Valve Rocker Arm Valve
OM00-043	030	94580565	2006	2007	08		Seat, Valve Rocker Arm Valve (Cup shape 19x29x7)
OM00-043	031	93376142	2006	2007	16		Key, Valve Stem
OM00-043	032	90169987	2006	2007	04		Cap, Valve Spring
OM00-043	033	05233315	2006	2007	08		Adjusterm, Hydraulic Valve Lash
OM00-043	034	90265608	2006	2007	08		Spring, Valve (Intake and Exhaust)
OM00-043	035	94656542	2006	2007	08		Seal, Valve Stem Oil
OM00-043	036	10101221	2006	2007	04		Rotator, Valve
OM00-043	037	90076745	2006	2007	08		Seat, Valve Rocker Arm Valve
OM00-043	037	94580565	2006	2007	08		Seat, Valve Rocker Arm Valve (Cup shape 19x29x7)
OM00-043	038	90324412	2006	2007	04		Valve, Exhaust
OM00-043	039	90215492	2006	2007	01		Valve, Intake
OM00-043	040	93279382	2006	2007	01		Cover, Timing Belt Front
OM00-043	041	90118241	2006	2007	01		Sprocket, Camshaft
OM00-043	042	90409673	2002	2003	01		Washer, Camshaft Sprocket
OM00-043	043	93307188	2006	2007	01		Bolt, Camshaft Sprocket
OM00-043	044	90531677	2006	2007	01		Belt, Timing (111 Teeth)
OM00-043	045	93279380	2006	2007	01		Cover, Timing Belt Front
OM00-043	046	11087874	2006	2007	06		Bolt, Eng Front Cover
OM00-043	048	93279384	2006	2007	01		Cover, Timing Belt Front

ILLUS NO	CALLOUT	PART NO	YEAR1	YEAR2	QTY	L/R	PSI	Description
OM00-043	049	90354858	2002	2006	01			Sprocket, Crankshaft
OM00-043	050	93307188	2006	2007	01			Bolt, Camshaft Sprocket
OM00-043	051	09202478	2006	2007	01			Tensioner, Timing Belt
OM00-043	052	11514623	2006	2007	04			Bolt, Timing Belt Rear Cover
OM00-043	055	90351710	2002	2003	02			Pin, Camshaft Housing Lock
OM00-043	056	93275736	2006	2007	01			Thermostat (INCLS: 58)
OM00-043	057	93251872	2006	2007	02			Bolt, Generator Front Bracket
OM00-043	058	NSS						Part of 56
OM00-043	060	93350022	2006	2007	01			Engine
OM00-043	062	11514596	2004	2006	08			Nut, Intake Manifold
OM00-043	065	93299901	2002	2006	01			Manifold, Exhaust
OM00-043	066	90409642	2002	2005	01			Gasket, Exhaust Manifold
OM00-043	067	93317274	2004	2006	01			Shield, Exhaust Manifold
OM00-043	068	90571863	2002	2006	01			Gasket, Intake Manifold
OM00-043	069	93392321			01			Intake Manifold
OM00-043	085	90320343	2002	2007	01			Retainer, Spark Plug Wire Harness
OM00-043	086	90320344	2002	2007	01			Retainer, Spark Plug Wire Harness
OM00-043	087	90320345	2002	2007	01			Retainer, Spark Plug Wire Harness
OM00-043	088	93271251	2002	2007	01			Bracket, Spark Plug Wire Ret
OM00-043	089	93271252	2002	2007	01			Bracket, Spark Plug Wire Ret
OM00-043	090	93271253	2002	2007	01			Bracket, Spark Plug Wire Ret
OM00-043	091	93295098	2006	2007	03			Bolt, Ignition Coil Bracket
OM00-043	092	01104038	2006	2007	01			Coil, Ignition
OM00-043	093	93206675	2006	2007	04			Spark Plug
OM00-043	094	90449677	2006	2007	01			Wire, Spark Plug Cylinder #1 (435MM)
OM00-043	095	90449678	2006	2007	01			Wire, Spark Plug Cylinder #2 (365MM)
OM00-043	096	90449679	2006	2007	01			Wire, Spark Plug Cylinder #3 (275MM)
OM00-043	097	90449680	2006	2007	01			Wire, Spark Plug Cylinder #4 (185MM)
OM00-043	098	93295098	2006	2007	03			Bolt, Ignition Coil Bracket
OM00-043	100	90499504	2006	2007	02			Clamp, PCV Hose
OM00-043	101	93399621	2006	2007	01			Hose, PCV
OM00-043	102	90409190	2006	2007	01			Tube, PCV
OM00-043	103	93218703	2006	2007	02			Bolt, PCV Tube
OM00-043	104	90572062	2006	2007	01			Gasket, PCV Tube



Power Boss PSI Price List
Spec# 39000659-3 Engine GM 1.6L
March 2007

Kit Number 38010071		Fan Drive Kit (Includes the following)
NOTE	PART NUMBER	DESCRIPTION
	32000325	Assembly, Base and Hub
	35000018	Bolt, M8-1.25 x 20 HxHd Gr 8.8
	35000024	Washer, Lock 5/16
	38900035	Pulley

Kit Number 38010183		Coupling 13 T Kit (Includes the following)
NOTE	PART NUMBER	DESCRIPTION
	30500073	Bolt, M7-1.0 x 23 HxHd Gr 8.8
	30500093	Cplg, Monolastic 50 SAE B 13T

Kit Number 38010207		Pump A Housing Kit (Includes the following)
NOTE	PART NUMBER	DESCRIPTION
	30500089	Cover, FW Housing
	30500104	Housing, Pump "A" Pilot
	35000006	Washer, Flat 1/4" SAE
	35000007	Washer, Lock 1/4" SAE
	35000021	Nut, Flanged M8-1.25
	35000126	Bolt, 1/4-20 x 1/2"
	35000186	Bolt, 3/8-16 x 1 1/2 Allen Gr8
	35000316	Washer, Flat 3/8 Hardened Gr19
	35000329	Bolt, M12-1.75 x 55 SktHd G10.9
	35000588	Bolt, M12-1.75X70 Skt Hd Gr10.9

Kit Number 38010301-2		Starter Hardware Kit (Includes the following)
NOTE	PART NUMBER	DESCRIPTION
	35000021	Nut, Flanged M8-1.25
	65000094	Nut, M6 Flange Plain

Kit Number 38010442		Emission Label Kit (Includes the following)
NOTE	PART NUMBER	DESCRIPTION
	32501017	Plate, Label Mounting
	33000781	Label, Emission LP 2007
	35000308	Washer, Flat 1/4" Hardened
	35000355	Bolt, M6-1.0x10mm SEMS Lock Washer

Kit Number 38010324		Alternator Kit (Includes the following)
NOTE	PART NUMBER	DESCRIPTION
	33000099	Alternator, 7SI (DF Sur-Belt)
	33000309	Bracket, Anchor Alt. Strap
	33000311	Strap, Alternator Adjust
	33000312	Belt, Fan Poly-6V 39"
	33000313	Spacer, Alternator Adj. Strap
	33000705	Bracket, Alternator / Ecu
	35000011	Bolt, 1/4-20 x 1 1/4 HxHd Gr 5
	35000016	Nut, M8-1.25
	35000018	Bolt, M8-1.25 x 20 HxHd Gr 8.8
	35000023	Washer, Flat 5/16 USS
	35000024	Washer, Lock 5/16
	35000028	Washer, Flat 5/16 SAE
	35000039	Bolt, M8-1.25 x 50 HxHd Gr 8.8
	35000046	Washer, Lock M10 Metric
	35000064	Washer, Flat 3/8 SAE
	35000130	Bolt, M10-1.50 x 15 HxHd Gr8.8
	35000198	Bolt, M8-1.25 x 25 HxHd Gr 8.8
	35000271	Bolt, M8-1.25 x 110 HxHd Gr8.8
	35000286	Bolt, M10-1.50 x 25 HxHd Gr8.8
	35000305	Nut, Lock M8-1.25
	35000308	Washer, Flat 1/4" Hardened
	35000309	Washer, Star 3/8"

Kit Number 38010444		LP Fuel Kit (Includes the following)
NOTE	PART NUMBER	DESCRIPTION
	30100120	Hose, Water 5/8"ID, 250 PSI
	30500321	Plug, M16 Intake Manifold
	32000148	Clamp, Hose S-10 1"
	32000561	Loom, Split 1"
	32500192	Hose, Vacuum 7/32"
	32500216	Gasket, Adapter
	32500318	Clamp, Hose S-12 1-1/4"
	32500337	Hose, 5/8 to 3/4 Molded Water
	32500480	Hose, 1/4ID Gas Supply
	32500605	Nipple, 1/4MPTX1 3/8 Hex
	32500697	Throttle Body, Bosch 40MM
	32500782	Gasket, Bosch TB
	32500790	Ftg, 1/8MPT x 1/4 HB Straight
	32500878	Valve, Lock-Off
	32500896	Fitting, Vac M16-1.5-6H
	32501090	Adapter, Bosch 40MM to Impco
	32501097	O-ring, Mxr Adptr 40MM/100
	32501106	Sensor O2 NTK S3
	32501185	Fitting Kit, EPR
	32501267	Sensor, O2 Post Cat
	32501391	Hose, Molded Mixer to EPR
	32501468	Regulator, Elect Press 2007 UL
	32501516	Plug, 1/8NPT X 3/16 Intern Hex Brass
	32501522	Bracket, EPR Transport
	33000366	Sensor, T Map
	33000439	Terminal, Male Connector
	33000449	Seal, Connector 16 GA Wire
	33000500	Connector, Fuel Lockoff
	33000501	Lock, Fuel Lockoff
	33000598	Isolator, EPR
	33000599	Seal, Quad Mxr adptr 40MM/100 3.0
	33500327	Hose, Vent
	33500363	Gasket, Int Man/Bosch Adapter
	33500368	Adapter Intake/Bosch TB
	35000004	Bolt, M6-1.0x25 SktHd Gr12
	35000010	Bolt, 1/4-20 x 3/4 Hx hd Grd 5
	35000021	Nut, Flanged M8-1.25
	35000308	Washer, Flat 1/4" Hardened
	35000403	Bolt, M6-1.0x70 SktHd.
	35000501	Bolt, M5-.80x35 Skt HD

Kit Number 38010611		Fan Spacer 16" Pusher Kit (Includes the following)
NOTE	PART NUMBER	DESCRIPTION
	32000343	Fan, Pusher 16"
	32000536	Spacer, Fan, Pusher .85"LG
	35000063	Washer, Lock 3/8
	35000217	Bolt, 3/8-16 x 1 3/4 HxHd Gr5

Kit Number 38010811-3		Intake Manifold Kit (Includes the following)
NOTE	PART NUMBER	DESCRIPTION
	33500366	Plug Injector Hole
	33500370	Plug, MAP Sensor Port
	35000246	Plug, 1/8" NPS Sq. Head

Kit Number 38011218		LP Wire Kit (Includes the following)
NOTE	PART NUMBER	DESCRIPTION
	32501521	Bracket, Fuse Block
	33000354	Isolator, Relay Box
	33000702	Harness, LP
	35000009	Nut, 1/4-20
	35000126	Bolt, 1/4-20 x 1/2"
	35000308	Washer, Flat 1/4" Hardened
	35000350	Bolt, M6-1.0x16 HxHd, Gr8

Kit Number 3800008		Series 600 Cert. Mixer Kit (Includes the following)
NOTE	PART NUMBER	DESCRIPTION
	32500894	Elbow, 1/8P x 1/4H 90 F4-8
	32500902	Gasket, Air Horn to Mixer
	32501313	Mixer, Cert 60 Series w/70 Degree Ftg
	32501314	Plug, Vacuum Port 60 Series Mixer
	32501316	Plug, Auxilliary Balance Port

Misc Parts		Misc Parts
NOTE	PART NUMBER	DESCRIPTION
	33500165	Exhaust Gasket Pipe Flange
	33500560	Cat. Muffler
	38900467	ECU
	38900035	Fan Pulley



Recommended Stocking List
 Spec# 39000659-3
 Engine: GM 1.6L
 March 2007



Part Number	PSI Description	Group	Stocking Level
33000099	Alternator, 7SI (DF Sur-Belt)	Alternator	A
90180529	Seal, Camshaft	Camshaft	A
90118241	Sprocket, Camshaft	Camshaft	C
93385842	Pump Kit, Water	Cooling	A
93275736	Thermostat	Cooling	A
93309906	Seal, Crankshaft Rear Oil	Crankshaft	A
90364858	Sprocket, Crankshaft	Crankshaft	C
93285876	Bolt, Camshaft Rear Cover	Cylinder Head	A
93304811	Bolt, Cylinder Head	Cylinder Head	A
96391434	Gasket Kit, Cylinder Head	Cylinder Head	A
90409594	Gasket, Camshaft Housing Cover	Cylinder Head	A
93376142	Key, Valve Stem	Cylinder Head	A
93278411	Seal, Camshaft Housing Cover Bolt	Cylinder Head	A
94656542	Seal, Valve Stem Oil	Cylinder Head	A
90169987	Cap, Valve Spring	Cylinder Head	B
93313415	Head, Cylinder	Cylinder Head	B
10101221	Rotator, Valve	Cylinder Head	B
90265608	Spring, Valve	Cylinder Head	B
90398840	Arm, Valve Rocker	Cylinder Head	C
93334741	Cover, Camshaft Housing	Cylinder Head	C
93380182	Seat, Exhaust Valve	Cylinder Head	C
93380183	Seat, Exhaust Valve	Cylinder Head	C
93380184	Seat, Exhaust Valve	Cylinder Head	C
93380187	Seat, Exhaust Valve	Cylinder Head	C
90076745	Seat, Valve Rocker Arm Valve	Cylinder Head	C
90324412	Valve, Exhaust	Cylinder Head	C
90215492	Valve, Intake	Cylinder Head	C
33000354	Isolator, Relay Box	Electrical	A
33000439	Terminal, Male Connector	Electrical	C
33000449	Seal, Connector 16 GA Wire	Electrical	C
33000312	Belt, Fan Poly-6V 39"	Engine Front	A
90531677	Belt, Timing	Engine Front	A
32000343	Fan, Pusher 16"	Engine Front	B
09202478	Tensioner, Timing Belt	Engine Front	B
38900035	Pulley	Engine Front	C
93279380	Cover, Timing Belt Front	Engine Front	C
93279382	Cover, Timing Belt Front	Engine Front	C
93279384	Cover, Timing Belt Front	Engine Front	C
32000536	Spacer, Fan, Pusher .85"LG	Engine Front	C
25010792	Filter, Oil	Filter	A
90136113	Valve, Oil Filter Bypass	Filter	A
93258997	Fitting, Oil Filter	Filter	B
30500089	Cover, FW Housing	Flywheel & Ring Gear	C
30500104	Housing, Pump "A" Pilot	Flywheel & Ring Gear	C
32500216	Gasket, Adapter	Fuel	B
32500878	Valve, Lock-Off	Fuel	B
32501106	Sensor O2 NTK S3	Fuel	B
32501267	Sensor, O2 Post Cat	Fuel	B
33000366	Sensor, T Map	Fuel	B
30500321	Plug, M16 Intake Manifold	Fuel	C
32500337	Hose, 5/8 to 3/4 Molded Water	Fuel	C
32500480	Hose, 1/4ID Gas Supply	Fuel	C
32500697	Throttle Body, Bosch 40MM	Fuel	C
32501388	ECU ASM, GCP LPG S3	Fuel	C
32501468	Regulator, Elect Press 2007 UL	Fuel	C
33000598	Isolator, EPR 3.0	Fuel	C
33000599	Seal, Quad Mxr adptr 40MM/100	Fuel	C
33500363	Gasket, Int Man/Bosch Adapter	Fuel	C
01104038	Coil, Ignition	Ignition	A

Part Number	PSI Description	Group	Stocking Level
90451442	Sensor, Camshaft Posn	Ignition	A
93206675	Spark Plug	Ignition	A
90449677	Wire, Spark Plug Cylinder #1	Ignition	A
90449678	Wire, Spark Plug Cylinder #2	Ignition	A
90449679	Wire, Spark Plug Cylinder #3	Ignition	A
90449680	Wire, Spark Plug Cylinder #4	Ignition	A
90409642	Gasket, Exhaust Manifold	Intake & Exhaust	A
90571863	Gasket, Intaket Manifold	Intake & Exhaust	A
93299901	Manifold, Exhaust	Intake & Exhaust	C
90106239	Stud, Intake Manifold	Intake & Exhaust	C
32000148	Clamp, Hose S-10 1"	Intake & Exhaust	C
33500165	Gasket, Exh. Pipe Flange	Intake & Exhaust	C
33500560	Muffler, Catalyst 2007	Intake & Exhaust	C
35000246	Plug, 1/8" NPS Sq. Head	Intake & Exhaust	C
93335433	Gasket, Oil Pan	Oil	A
90409376	Plug, Oil Pan Drain	Oil	A
90501719	Seal, Oil Pump	Oil	A
93334742	Cap, Oil Filler	Oil	B
90091886	Cover, Oil Pum	Oil	B
90501168	Dipstick	Oil	B
93318082	Switch, Eng Oil Pressure Indicator	Oil	B
11093042	Gasket, Oil Pressure Relief Valve Bore Plug	Oil	C
90573301	Gasket, Oil Pump	Oil	C
93399621	Hose, PCV	Oil	C
93324943	Pan, Oil	Oil	C
11017692	Seal, Oil Pump Housing	Oil	C
08956812	Bolt, Starter	Starter	A
93288991	Starter	Starter	A
10044165	Stud, Starter	Starter	A
35000021	Nut, Flanged M8-1.25	Starter	C
65000094	Nut, M6 Flange Plain	Starter	C